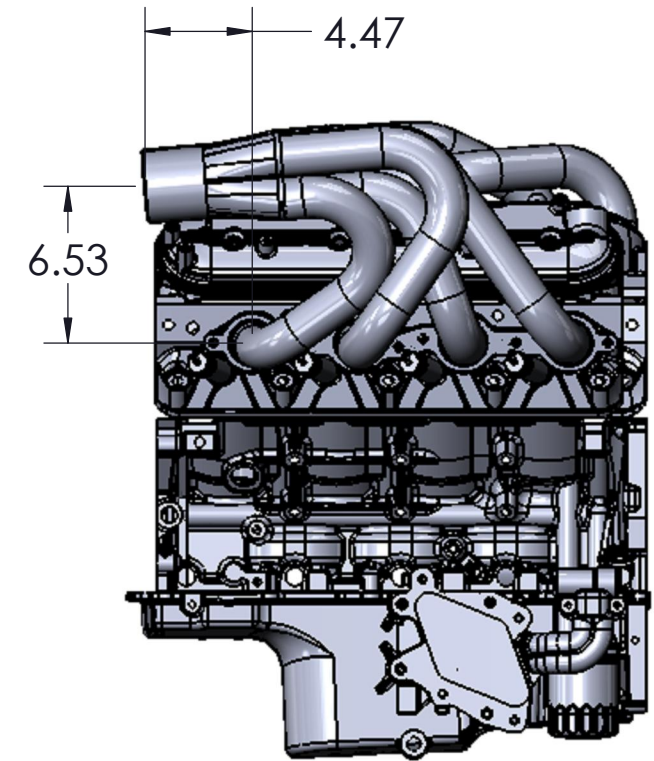
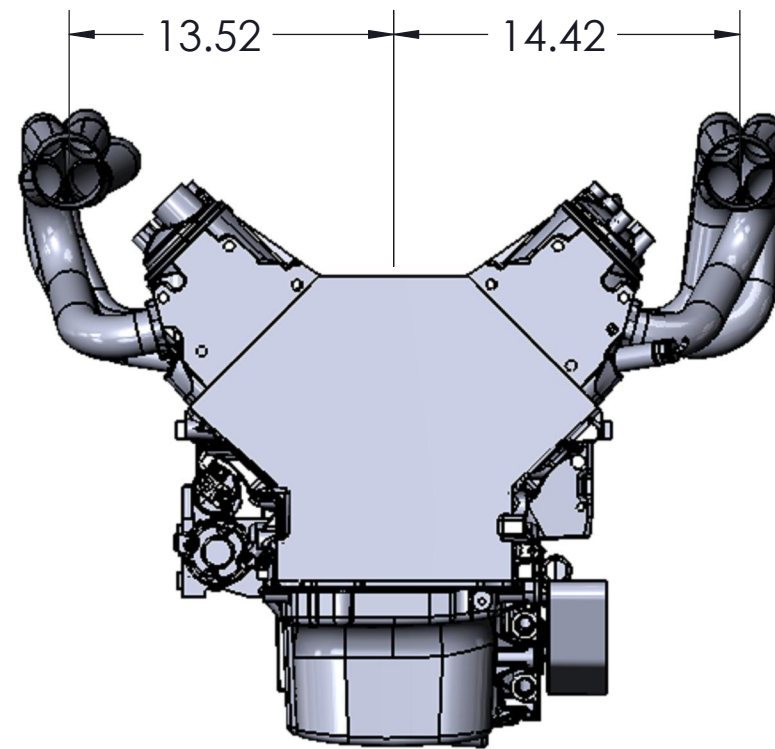
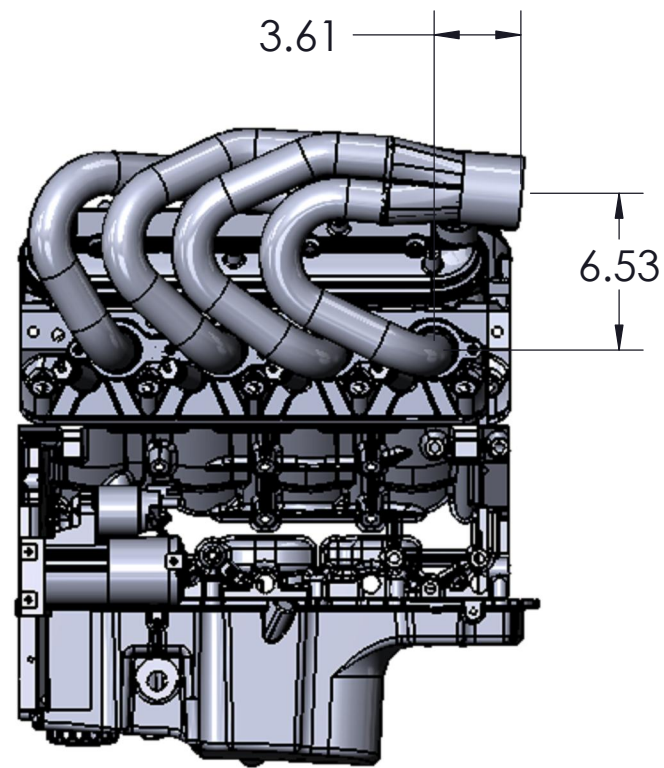



REVISION HISTORY			
REV	DESCRIPTION	DATE	APPROVED



Dimensioned from center of front port

	NAME	DATE	 141 Advantage Place Statesville, NC 28677
DRAWN	WPC	5-20-16	
CHECKED			
ENG APPR			
MGR APPR			TITLE <b>Universal Upswept Swap Header</b>
UNLESS OTHERWISE SPECIFIED: DIMENSIONS ARE IN INCHES ANGLES ±X.X° 2 PL ±X.XX 3 PL ±X.XXX			SIZE DWG NO REV B <b>Univ Upswept Swap Header</b>
			FILE NAME: Univ Upswept Swap Header.SLDDRW
			SCALE <b>scale</b> WEIGHT: SHEET: <b>1</b>